

Installation instructions for PZ4AL-01698-00
Under Run Protective Shield Engine Bay

LEXUS GX



TOYOTA LC



Model Year: **GX 460 - 2009 - 2013 -**

**LC 150 Diesel -
2009 - 2013 - 2015-**

LC 150 Petrol - 2009 - 2013 -

Vehicle Code: URJ150L-GKTZKW

GRJ150L-GKAEKW
KDJ150L-GKAEYW

GRJ150L-GKAEKW

Part Number:

PZ4AL-01698-00



Weight:

14,8 kg



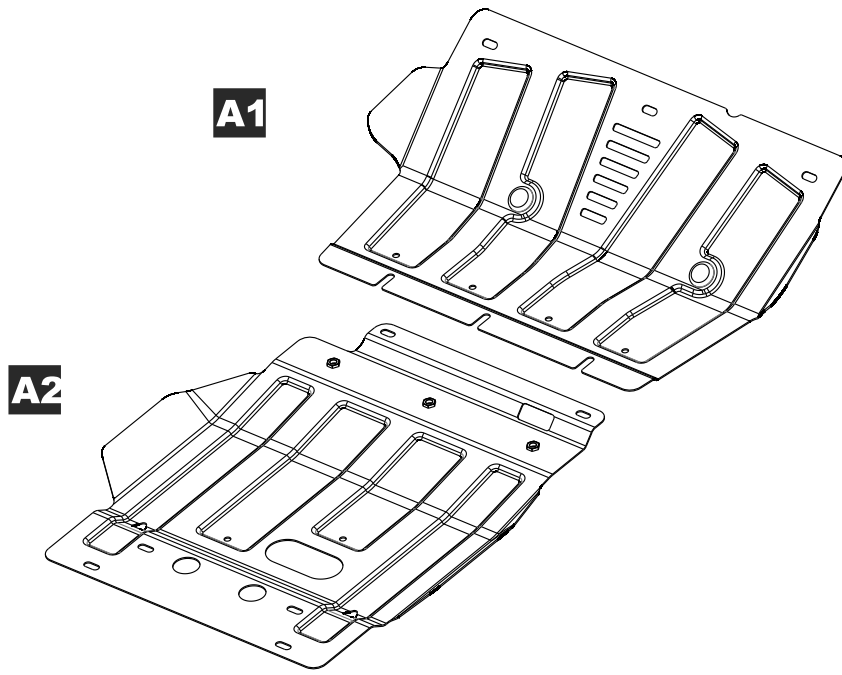
Installation Time:

30 min

Manual reference number:

AIM 001-929-0

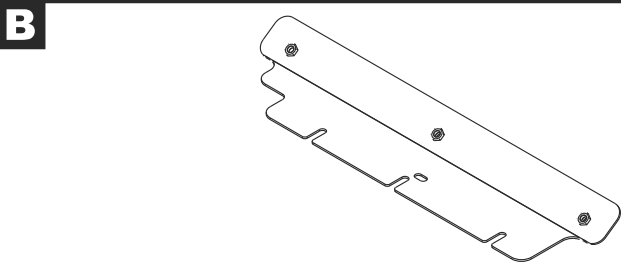
PZ4AL-01698-00



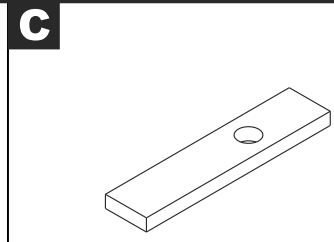
1x

1x

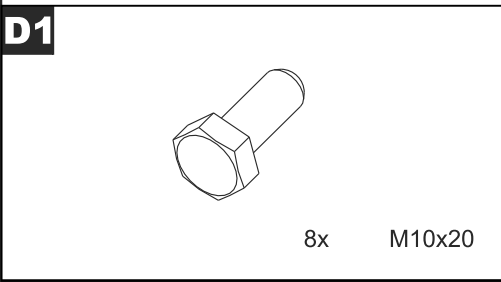
PZ4AL-01698-60



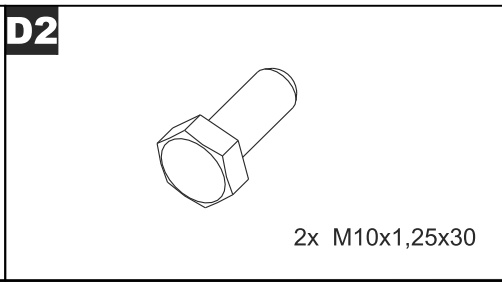
1x



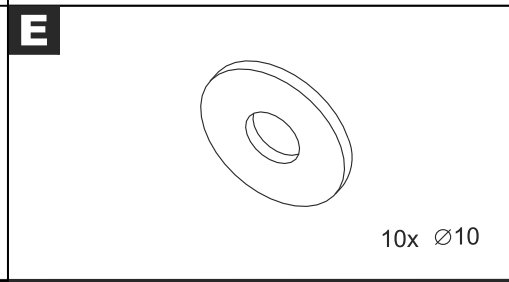
2x



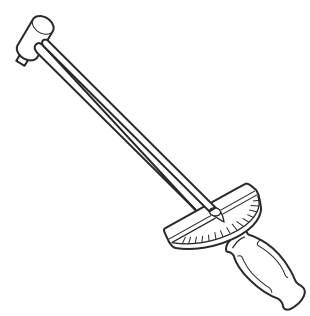
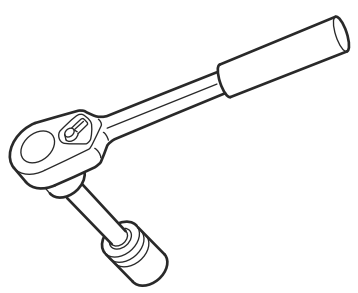
8x M10x20



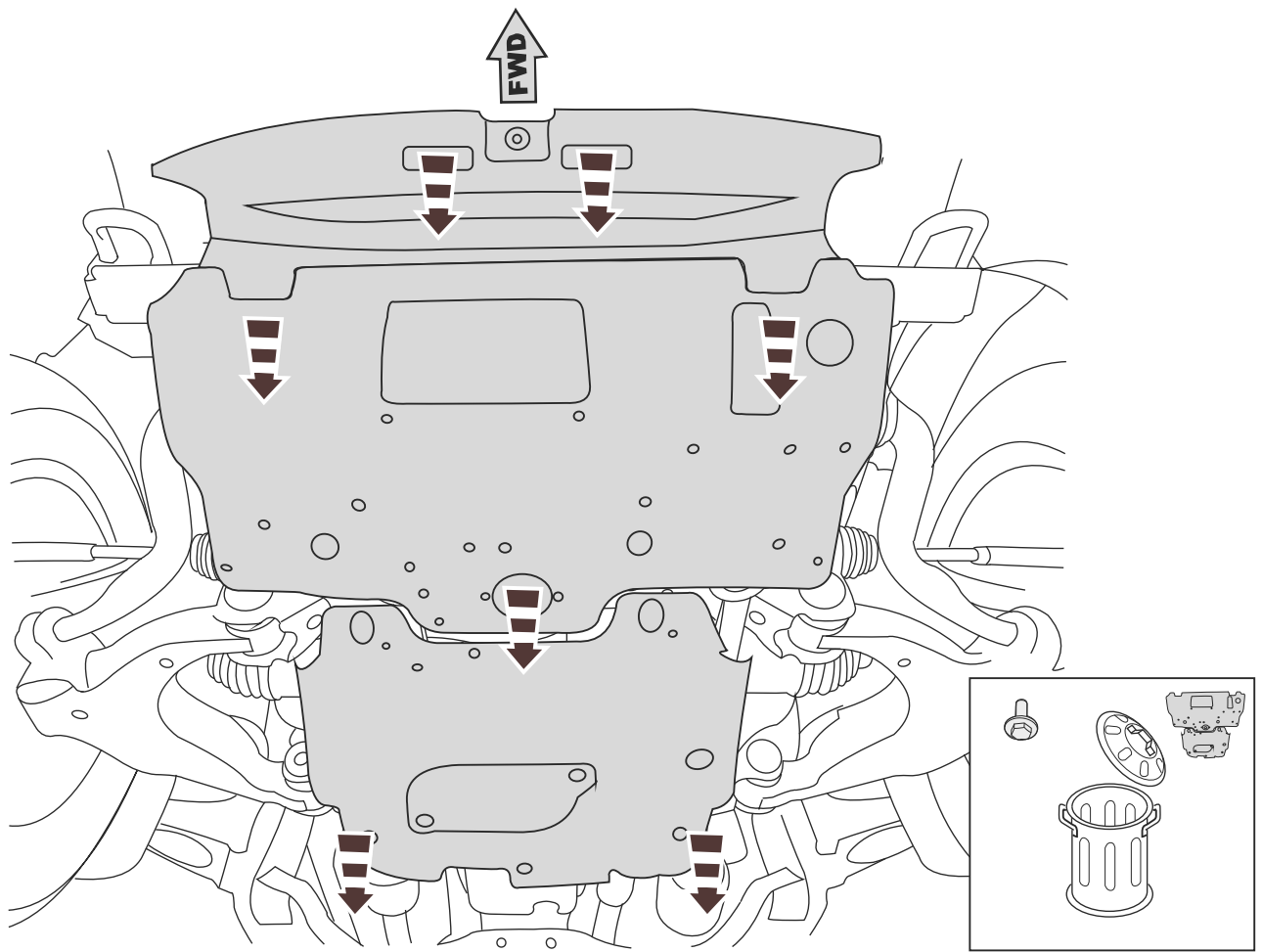
2x M10x1,25x30



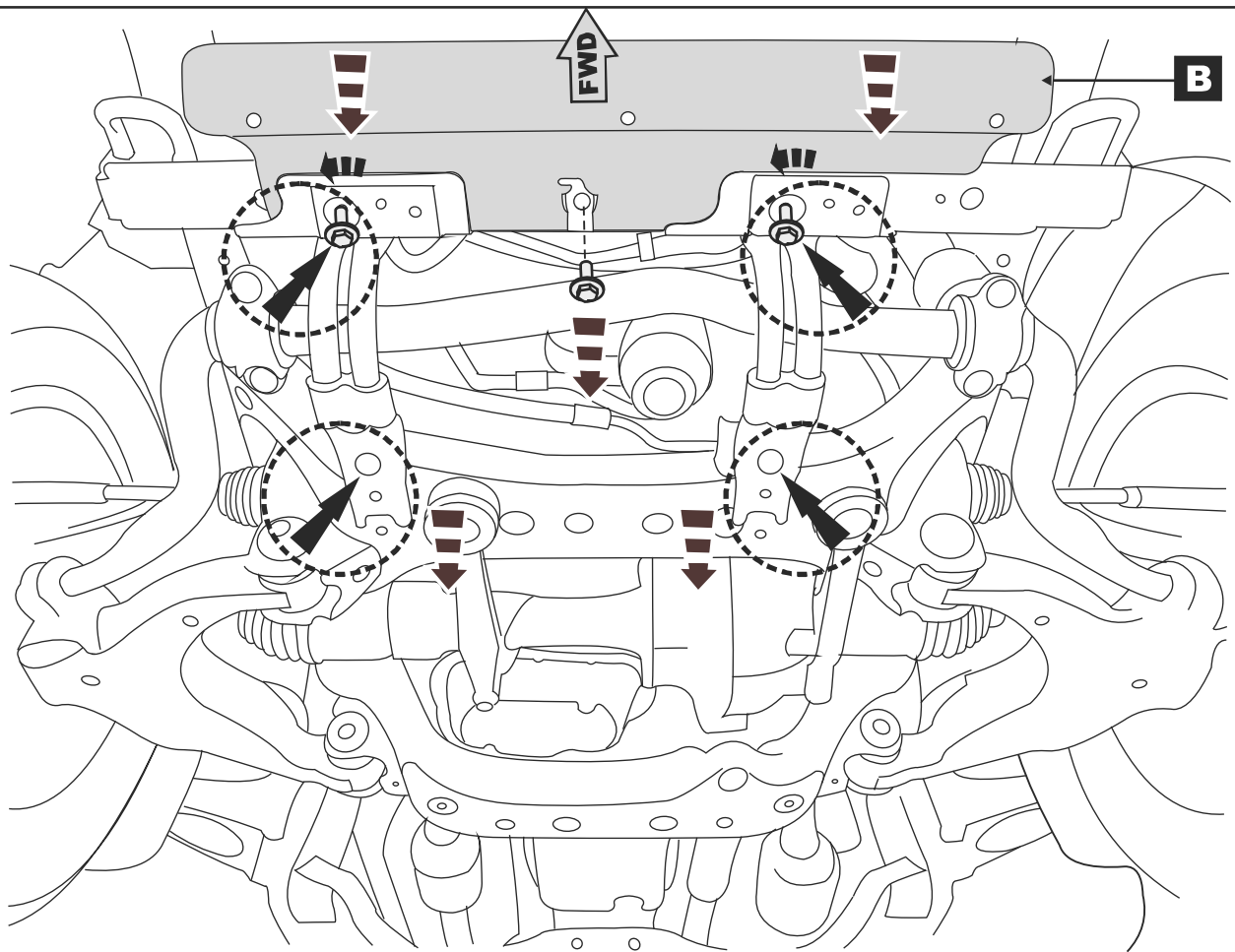
10x Ø10



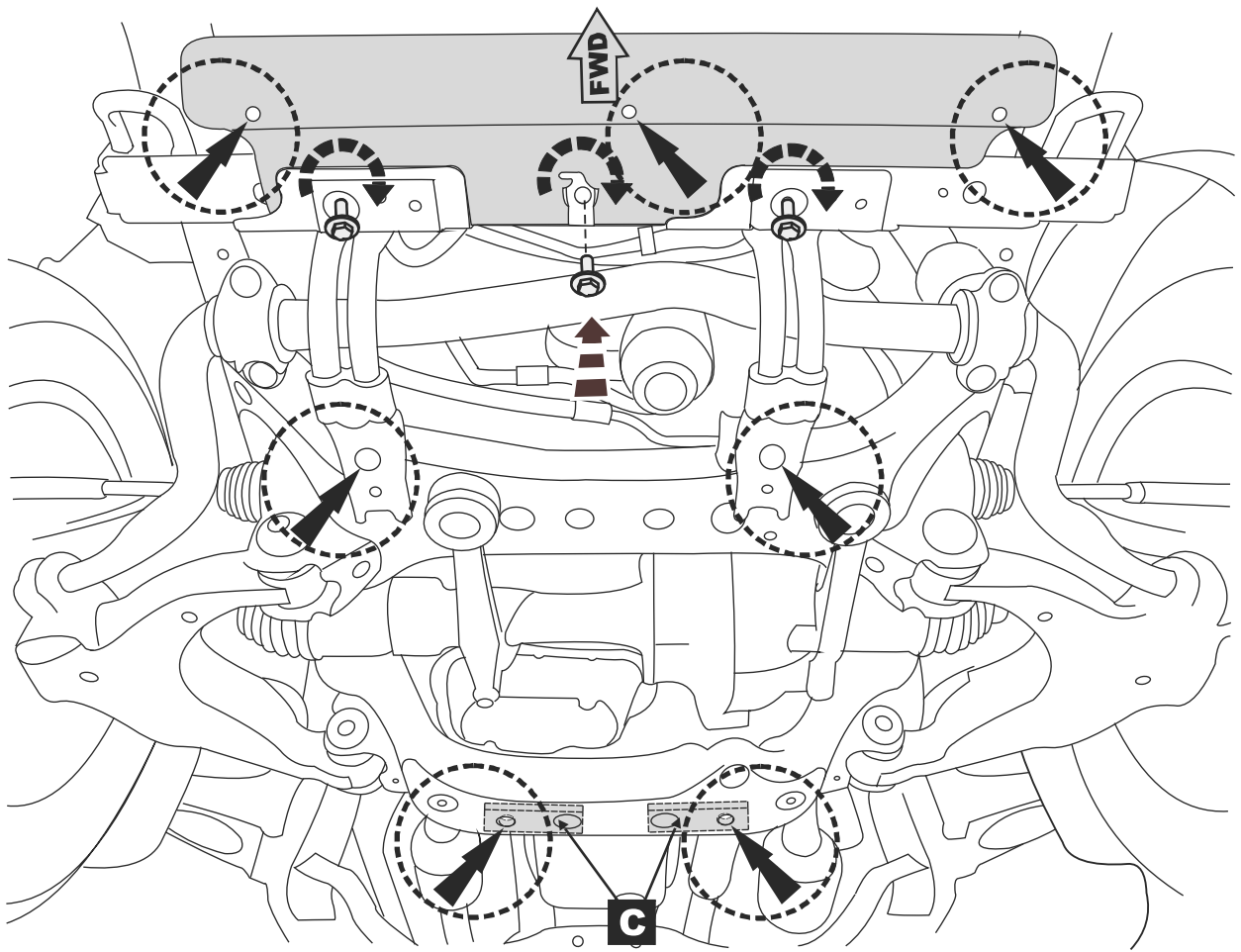
1



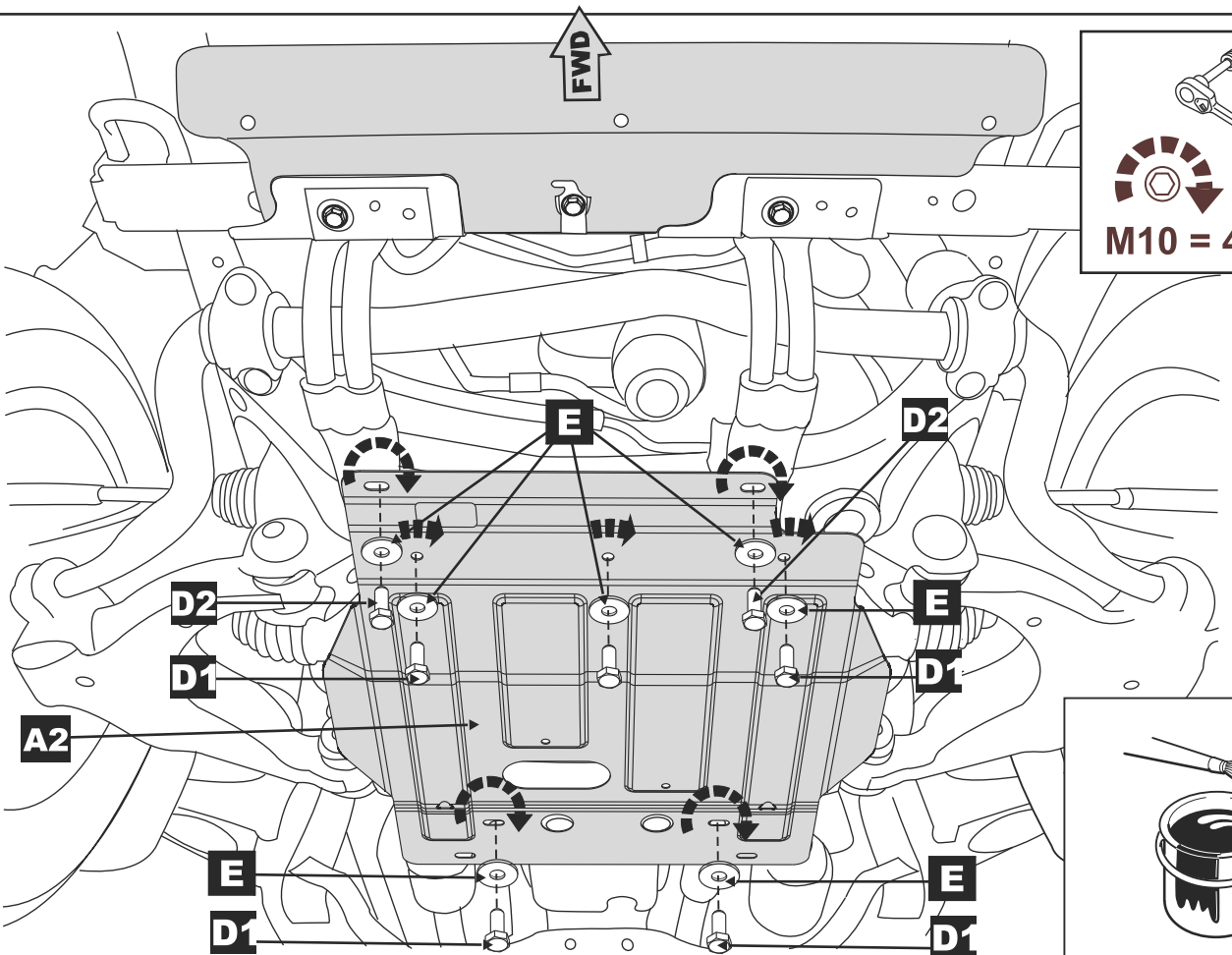
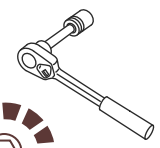
2



3



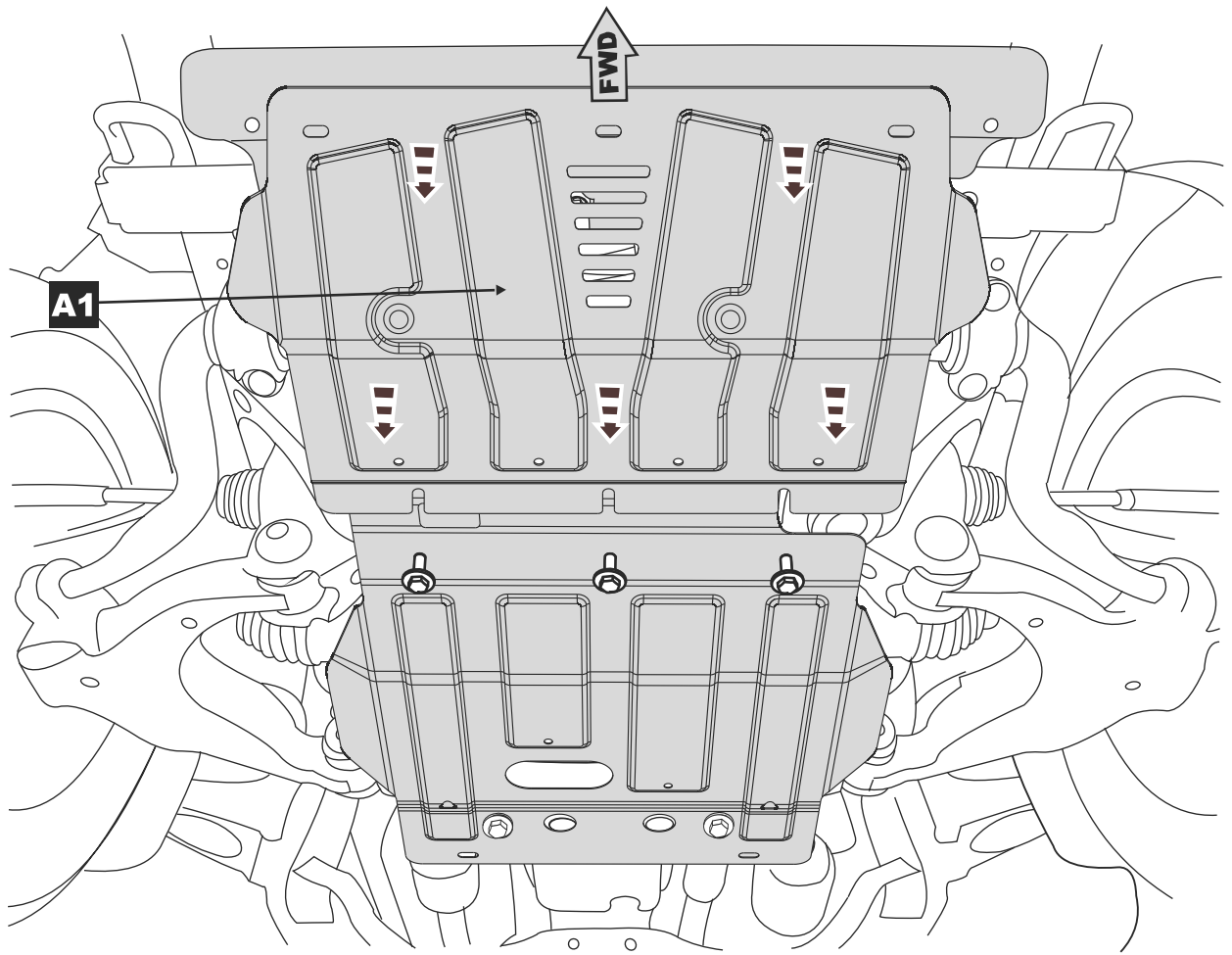
4

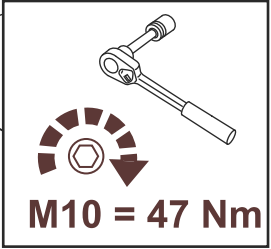
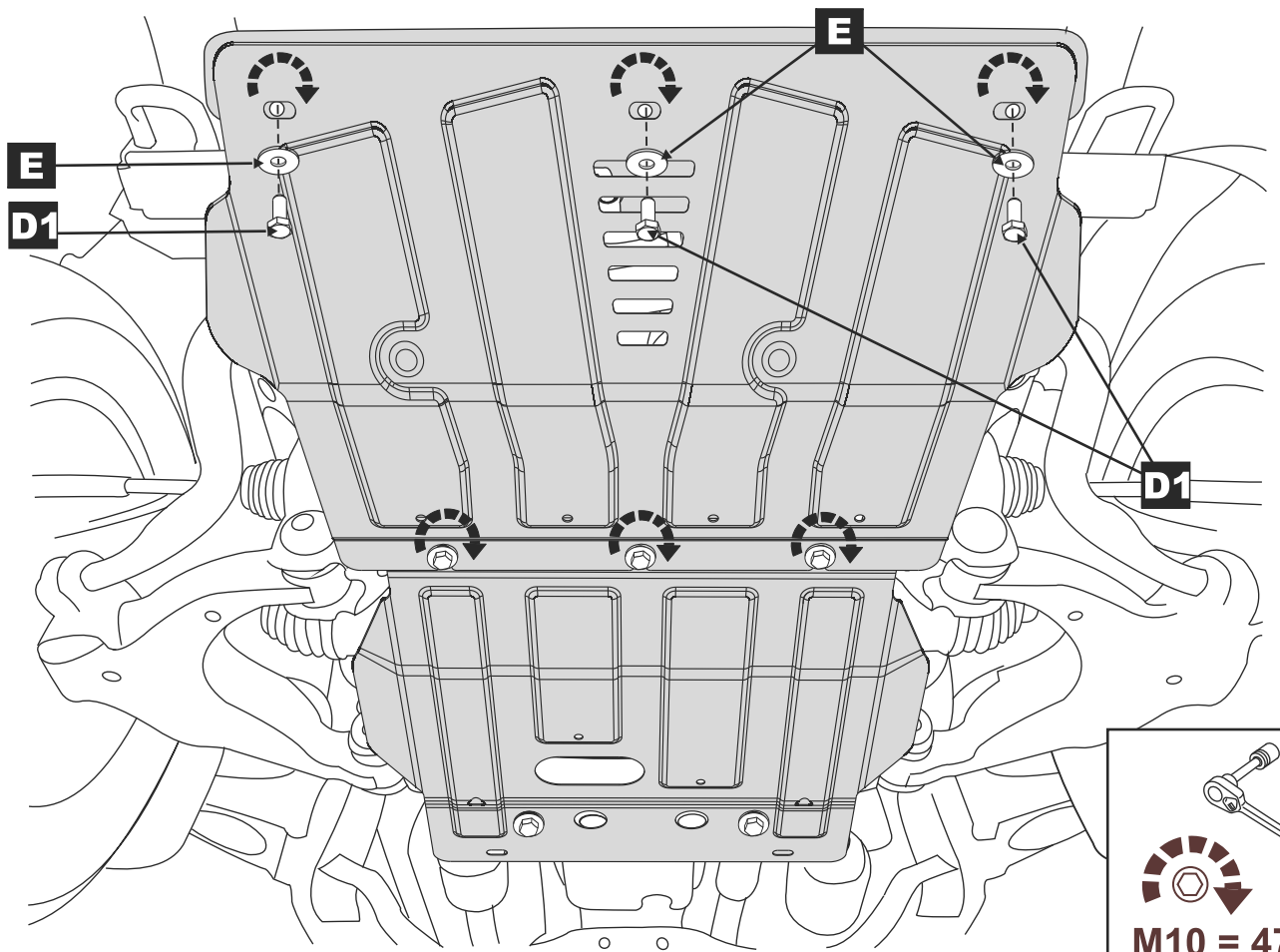
M10 = 47 Nm



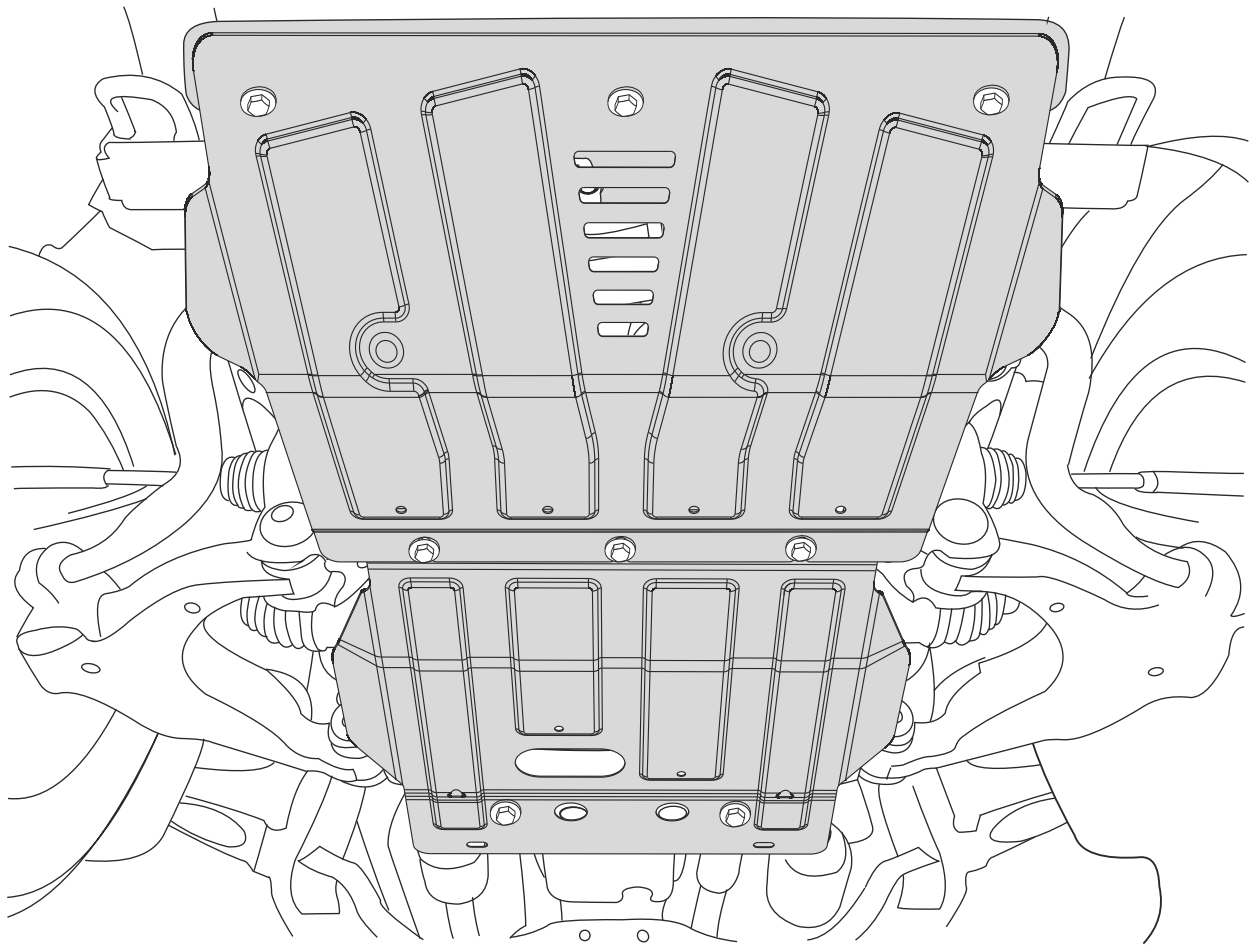
5



6



7



Part number:
PZ4AL-01698-00

Issue:
0

Date:
09/10/13

Manual reference number:
AIM 001-929-0

Page:
6/6